



ISOCOM
— — — — —
COMPONENTS





Welcome to the **Isocom Components** Shortform Catalogue



Contents

Which optocoupler to choose?	pg 2
Part Number Index	pg 3
4 Pin DIL & SMD Optocouplers	pg 4-5
6 Pin DIL & SMD Optocouplers	pg 6-9
8 Pin DIL & SMD Optocouplers	pg 10-11
16 Pin DIL & SMD Optocouplers	pg 12-13
6 Pin DIL & SMD Triac Optocouplers	pg 14-15
4 Pin Mini Flat Package Optocouplers	pg 16-17
6 Pin DIL & SMD Schmitt Trigger Optocouplers	pg 18
4 Pin Mini Flat Package Triac Optocouplers	pg 19
High Speed Optocouplers + Others	pg 20
Ordering Information and Options	pg 21

Isocom Components has been a leading supplier of infrared optoelectronic devices for over 25 years with product families including all popular commercial optocoupler industry standard types including many no longer supplied by other manufacturers. We also offer special parametric selections to meet customer's specific circuit design requirements.

Isocom Components undertakes final assembly, marking, lead forming, testing, and quality control at its production facility in the UK. Original components are sourced from world class approved suppliers in the Far East and elsewhere to ensure cost competitiveness and the very highest quality standards.

We offer the shortest manufacturing lead times in the world for many parts and are proud of our fast turnaround capability whilst maintaining excellent product quality.

Why settle for lengthy lead times when we can deliver your components at a time when you need them?

For all the latest news and new product offerings please visit our website at:

www.isocom.com

Optocouplers

Why use an Optocoupler?

Optocouplers provide a low cost, space efficient, easy to use solution to high voltage isolation requirements. With careful PCB design the input can be electronically isolated from the output stage for up to 7,500 volts peak differential.

Which optocoupler to choose?

For those new to optocouplers the array of varieties may seem bewildering but by considering the specific application the right optocoupler can usually be selected easily.

Transistor

Transistor optocouplers can be used in most circumstances. If the base lead of the output transistor is not required in the circuit then the packages with no base lead connection provide additional protection against noise. The special dual and quad packages provide excellent PCB space savings where several optocouplers are required on the same circuit board.

AC Input

AC input devices, as the name implies, switch on the output transistor when an AC voltage (or a DC voltage of either polarity) is applied to the input. A typical application of this device is to detect the presence, or lack of, an AC voltage.

Darlington

Where high gain is required a darlington pair output device can provide up to 100% Current Transfer Ratio (CTR)

Schmitt Trigger

Where hysteresis control is needed together with a degree of speed, the Schmitt trigger devices provide an ideal solution.

Triac

Triac optocouplers provide control of AC voltages. For very high current applications, Isocom Components' Triac optocouplers can be used to control an external Power Triac.

IGBT Octocoupler

Isocom's newly developed ICPL3120 incorporates an infrared emitting diode optically coupled to an integrated circuit with a Power Output stage. It is suited for driving power IGBT's and MOSFETS in motor control applications

Mini Flat Packages

A range of space saving optocouplers with various outputs including Zero Crossing Triacs and Random Phase Triacs

Half Pitch Packages

A range of super small devices with both AC & DC inputs coupled with a phototransistor output

High Speed

A range of industry standard High Speed optocouplers with data rates in excess of 10Mbits/sec



Index - Popular Part No. Many More Available

4N25	Pg 6	ILD1	Pg 11	IS452	Pg 16	ISP815-1	Pg 5	MOC3060	Pg 15	SFH620A-1	Pg 4
4N26	Pg 6	ILD2	Pg 11	IS4N45	Pg 9	ISP815-2	Pg 5	MOC3061	Pg 15	SFH620A-2	Pg 4
4N27	Pg 6	ILD5	Pg 11	IS4N46	Pg 9	ISP815-3	Pg 5	MOC3062	Pg 15	SFH620A-3	Pg 4
4N28	Pg 6	ILD74	Pg 11	IS5	Pg 6	ISP817	Pg 4	MOC3063	Pg 15	SFH628-2	Pg 4
4N29	Pg 8	ILQ1	Pg 13	IS6003	Pg 14	ISP824	Pg 10	MOC3080	Pg 15	SFH628-4	Pg 4
4N30	Pg 8	ILQ2	Pg 13	IS6005	Pg 14	ISP825	Pg 10	MOC3081	Pg 15	SFH628A-2	Pg 5
4N31	Pg 8	ILQ5	Pg 13	IS6010	Pg 14	ISP825-1	Pg 10	MOC3082	Pg 15	SFH628-3	Pg 4
4N32	Pg 8	ILQ74	Pg 13	IS6015	Pg 14	ISP825-2	Pg 10	MOC3083	Pg 15	SFH628A-3	Pg 5
4N33	Pg 8	IS1	Pg 6	IS6030	Pg 14	ISP825-3	Pg 10	MOC5007	Pg 18	SFH628A-4	Pg 5
4N35	Pg 6	IS121	Pg 16	IS604	Pg 8	ISP827	Pg 10	MOC5008	Pg 18	TIL111	Pg 7
4N36	Pg 6	IS126	Pg 16	IS607	Pg 14	ISP844	Pg 12	MOC5009	Pg 18	TIL113	Pg 8
4N37	Pg 6	IS127	Pg 16	IS608	Pg 14	ISP845	Pg 12	MOC8020	Pg 9	TIL114	Pg 7
4N38	Pg 6	IS181	Pg 16	IS609	Pg 18	ISP845-1	Pg 12	MOC8021	Pg 9	TIL116	Pg 7
4N38A	Pg 6	IS2	Pg 6	IS620	Pg 15	ISP845-2	Pg 12	MOC8030	Pg 9	TIL117	Pg 7
CNX62A	Pg 7	IS201	Pg 6	IS621	Pg 15	ISP845-3	Pg 12	MOC8050	Pg 9	TIL119	Pg 9
CNX72A	Pg 6	IS202	Pg 6	IS622	Pg 15	ISP847	Pg 12	MOC8080	Pg 8	TIL191	Pg 4
CNX82A	Pg 7	IS203	Pg 6	IS623	Pg 15	ISQ1	Pg 13	MOC8101	Pg 7	TIL191A	Pg 4
CNX83AG	Pg 6	IS204	Pg 6	IS660	Pg 9	ISQ2	Pg 13	MOC8102	Pg 7	TIL191B	Pg 4
CNY17-1	Pg 6	IS204-1	Pg 6	IS661	Pg 9	ISQ201	Pg 13	MOC8103	Pg 8	TIL192	Pg 10
CNY17-2	Pg 6	IS204-2	Pg 6	IS725	Pg 9	ISQ202	Pg 13	MOC8104	Pg 8	TIL192A	Pg 10
CNY17-3	Pg 6	IS204-3	Pg 6	IS733	Pg 8	ISQ203	Pg 13	MOC8105	Pg 8	TIL192B	Pg 10
CNY17-4	Pg 6	IS205	Pg 7	IS74	Pg 6	ISQ204	Pg 13	MOC8106	Pg 8	TIL193	Pg 12
CNY17-5	Pg 6	IS205-1	Pg 7	IS829	Pg 11	ISQ204-1	Pg 13	MOC8107	Pg 8	TIL193A	Pg 12
CNY17F-1	Pg 7	IS205-2	Pg 7	IS849	Pg 13	ISQ204-2	Pg 13	MOC8108	Pg 8	TIL193B	Pg 12
CNY17F-2	Pg 7	IS205-3	Pg 7	ISD1	Pg 11	ISQ204-3	Pg 13	MOC8111	Pg 8	TIL194	Pg 5
CNY17F-3	Pg 7	IS206	Pg 7	ISD2	Pg 11	ISQ5	Pg 13	MOC8112	Pg 8	TIL194A	Pg 5
CNY17F-4	Pg 7	IS2701-1	Pg 16	ISD201	Pg 11	ISQ74	Pg 13	MOC8113	Pg 8	TIL194B	Pg 5
CNY17F-5	Pg 7	IS2702-1	Pg 16	ISD202	Pg 11	MCA2230	Pg 8	PS2501-1	Pg 4	TIL195	Pg 10
CNY35	Pg 8	IS2705-1	Pg 16	ISD203	Pg 11	MCA2231	Pg 8	PS2501-2	Pg 10	TIL195A	Pg 10
CNY75A	Pg 6	IS2732-1	Pg 16	ISD204	Pg 11	MCA2255	Pg 8	PS2501-4	Pg 12	TIL195B	Pg 10
CNY75B	Pg 6	IS3009	Pg 14	ISD204-1	Pg 11	MCA230	Pg 8	PS2502-1	Pg 5	TIL196	Pg 12
CNY75C	Pg 6	IS3010	Pg 14	ISD204-2	Pg 11	MCA231	Pg 8	PS2502-2	Pg 10	TIL196A	Pg 12
CQY80	Pg 6	IS3011	Pg 14	ISD204-3	Pg 11	MCA255	Pg 8	PS2502-4	Pg 12	TIL196B	Pg 12
H11A1	Pg 6	IS3012	Pg 14	ISD5	Pg 11	MCT2	Pg 6	PS2505-1	Pg 4	TIL197	Pg 5
H11A2	Pg 6	IS3020	Pg 14	ISPD60	Pg 9	MCT210	Pg 6	PS2505-2	Pg 10	TIL197A	Pg 5
H11A3	Pg 6	IS3021	Pg 14	ISPD61	Pg 9	MCT2200	Pg 6	PS2505-4	Pg 12	TIL197B	Pg 5
H11A4	Pg 6	IS3022	Pg 14	ISPD62	Pg 9	MCT2201	Pg 6	SFH600-0	Pg 7	TIL198	Pg 10
H11A5	Pg 6	IS3023	Pg 14	ISPD63	Pg 9	MCT2202	Pg 7	SFH600-1	Pg 7	TIL198A	Pg 10
H11AA1	Pg 8	IS3030	Pg 14	ISPD64	Pg 9	MCT270	Pg 7	SFH600-2	Pg 7	TIL198B	Pg 10
H11AA2	Pg 8	IS3031	Pg 14	ISPD65	Pg 9	MCT271	Pg 7	SFH600-3	Pg 7	TIL199	Pg 12
H11AA3	Pg 8	IS3032	Pg 14	ISD74	Pg 11	MCT272	Pg 7	SFH600-4	Pg 7	TIL199A	Pg 12
H11AA4	Pg 8	IS3033	Pg 14	ISP321-2	Pg 10	MCT2E	Pg 6	SFH601-1	Pg 7	TIL199B	Pg 12
H11AV1	Pg 6	IS3040	Pg 14	ISP321-4	Pg 12	MCT6	Pg 11	SFH601-2	Pg 7	TLP321	Pg 4
H11AV2	Pg 6	IS3041	Pg 14	ISP521-1	Pg 4	MCT61	Pg 11	SFH601-3	Pg 7	TLP321-2	Pg 10
H11AV3	Pg 6	IS3042	Pg 14	ISP521-2	Pg 10	MCT62	Pg 11	SFH601-4	Pg 7	TLP321-4	Pg 12
H11B1	Pg 8	IS3043	Pg 14	ISP521-4	Pg 12	MCT66	Pg 11	SFH609-1	Pg 7	TLP521	Pg 4
H11B2	Pg 8	IS3051	Pg 14	ISP620-1	Pg 4	MOC3009	Pg 14	SFH609-2	Pg 7	TLP521-2	Pg 10
H11B3	Pg 8	IS3052	Pg 14	ISP620-2	Pg 10	MOC3010	Pg 14	SFH609-3	Pg 7	TLP521-4	Pg 12
H11G1	Pg 9	IS3060	Pg 14	ISP620-4	Pg 12	MOC3011	Pg 14	SFH609-4	Pg 7	TLP620-1	Pg 5
H11G2	Pg 9	IS3061	Pg 14	ISP621-1	Pg 4	MOC3012	Pg 14	SFH615A-1	Pg 4	TLP620-2	Pg 10
H11G3	Pg 9	IS3062	Pg 15	ISP621-2	Pg 10	MOC3020	Pg 14	SFH615A-2	Pg 4	TLP620-4	Pg 12
H11J1	Pg 14	IS3063	Pg 15	ISP621-4	Pg 12	MOC3021	Pg 14	SFH615A-3	Pg 4	TLP621	Pg 4
H11J2	Pg 14	IS3080	Pg 15	ISP624-1	Pg 4	MOC3022	Pg 14	SFH615A-4	Pg 4	TLP621-2	Pg 10
H11J3	Pg 14	IS3081	Pg 15	ISP624-2	Pg 10	MOC3023	Pg 14	SFH617A-1	Pg 4	TLP621-4	Pg 12
H11J4	Pg 14	IS3082	Pg 15	ISP624-4	Pg 12	MOC3030	Pg 15	SFH617A-2	Pg 4	TLP624	Pg 4
H11J5	Pg 14	IS3083	Pg 15	ISP626-1	Pg 4	MOC3031	Pg 15	SFH617A-3	Pg 4	TLP624-2	Pg 10
H11L1	Pg 18	IS354	Pg 16	ISP626-2	Pg 10	MOC3032	Pg 15	SFH617A-4	Pg 4	TLP624-4	Pg 12
H11L2	Pg 18	IS354A	Pg 16	ISP626-4	Pg 12	MOC3033	Pg 15	SFH618A-2	Pg 4	TLP626-1	Pg 5
H11L3	Pg 18	IS355	Pg 16	ISP627-1	Pg 5	MOC3040	Pg 15	SFH618A-3	Pg 4	TLP626-2	Pg 10
H11L4	Pg 18	IS357	Pg 16	ISP814	Pg 4	MOC3041	Pg 15	SFH618A-4	Pg 4	TLP626-4	Pg 12
IL1	Pg 6	IS357A	Pg 16	ISP814-1	Pg 4	MOC3042	Pg 15	SFH618A-5	Pg 4	TLP627-1	Pg 5
IL2	Pg 6	IS357B	Pg 16	ISP814-2	Pg 4	MOC3043	Pg 15	SFH620-1	Pg 4		
IL5	Pg 6	IS357C	Pg 16	ISP814-3	Pg 4	MOC3051	Pg 14	SFH620-2	Pg 4		
IL74	Pg 6	IS357D	Pg 16	ISP815	Pg 5	MOC3052	Pg 14	SFH620-3	Pg 4		

4 Pin DIL & SMD Optocouplers

Transistor Output

Part Number	Features	Current Transfer Ratio $I_F = 5\text{mA}$ $V_{CE} = 5\text{V}$ Min (%)	Isolation Voltage Min (KV)	Continuous Forward Current Max (mA)	V_{BR} $I_R = 10\mu\text{A}$ Min (V)	BV_{CEO} $I_C = 0.5\text{mA}$ Min (V)	$I_{CEO(Dark)}$ $V_{CE} = 20\text{V}$ Max (nA)	$V_{CE(SAT)}$ $I_F = 8\text{mA}$ $I_C = 2.4\text{mA}$ Max (V)		
ISP321-1	Single channel Optocoupler with a Phototransistor Output	50-600	7.5(pk) 5.3(rms)	50	6	80	100	0.4		
ISP521-1		50-600				55				
ISP621-1		50-600				35			0.2($I_F = 20\text{mA}$) ($I_C = 1\text{mA}$)	
ISP817		50-600				55			0.4($I_F = 1\text{mA}$) ($I_C = 0.5\text{mA}$)	
ISP624-1		100-1200 ¹				80			0.3($I_F = 10\text{mA}$) ($I_C = 2\text{mA}$)	
PS2501-1		80-600				70			0.4($I_F = 10\text{mA}$) ($I_C = 2.5\text{mA}$)	
SFH615A-1		40-80/13 ($I_F = 10\text{mA}/1\text{mA}$)					50 ($V_{CE} = 10\text{V}$)			
SFH615A-2		63-125/22 ($I_F = 10\text{mA}/1\text{mA}$)					100 ($V_{CE} = 10\text{V}$)			
SFH615A-3		100-200/34 ($I_F = 10\text{mA}/1\text{mA}$)					50 ($V_{CE} = 10\text{V}$)			
SFH615A-4		160-320/56 ($I_F = 10\text{mA}/1\text{mA}$)					100 ($V_{CE} = 10\text{V}$)			
SFH617A-1		40-80/13 ($I_F = 10\text{mA}/1\text{mA}$)					55	0.4($I_F = 1\text{mA}$) ($I_C = 0.32\text{mA}$)		
SFH617A-2		63-125/22 ($I_F = 10\text{mA}/1\text{mA}$)								50 ($V_{CE} = 10\text{V}$)
SFH617A-3		100-200/34 ($I_F = 10\text{mA}/1\text{mA}$)								0.4($I_F = 1\text{mA}$) ($I_C = 0.5\text{mA}$)
SFH617A-4		160-320/56 ($I_F = 10\text{mA}/1\text{mA}$)								0.4($I_F = 1\text{mA}$) ($I_C = 0.8\text{mA}$)
SFH618A-2		63-125 ¹								0.4($I_F = 1\text{mA}$) ($I_C = 1.25\text{mA}$)
SFH618A-3		100-200 ¹								100 ($V_{CE} = 10\text{V}$)
SFH618A-4		160-320 ¹								
SFH618A-5		250-500 ¹								
TIL191		20								
TIL191A		50					80	0.4		
TIL191B		100								
TLP321		50-600								
TLP521		50-600								
TLP621		50-600								
TLP624		100-1200 ¹				55			0.4($I_F = 1\text{mA}$) ($I_C = 0.5\text{mA}$)	

Note 1 Test Condition: $I_F = 1\text{mA}$ $V_{CE} = 0.5\text{V}$

AC Input

Part Number	Features	Current Transfer Ratio $I_F = \pm 10\text{mA}$ $V_{CE} = 5\text{V}$ Min (%)	Isolation Voltage Min (KV)	Continuous Forward Current Max (mA)	V_F $I_F = \pm 20\text{mA}$ Max (V)	BV_{CEO} $I_C = 1\text{mA}$ Min (V)	$I_{CEO(Dark)}$ $V_{CE} = 20\text{V}$ Max (nA)	$V_{CE(SAT)}$ Max (V)
ISP620-1	Single channel Optocoupler with two infrared LED's wired in inverse parallel allowing operation with AC input voltage	40-125 ¹	7.5(pk) 5.3(rms)	50mA	1.4	55 ($I_C = 0.5\text{mA}$)	100 ($V_{CE} = 24\text{V}$)	0.4($I_F = \pm 8\text{mA}$) ($I_C = 2.4\text{mA}$)
ISP626-1		100 ² 50 ³						0.4($I_F = \pm 1\text{mA}$) ($I_C = 0.5\text{mA}$)
ISP814		20-300 ⁴						0.2($I_F = \pm 20\text{mA}$) ($I_C = 1\text{mA}$)
ISP814-1		80 ⁵				100	0.4($I_F = \pm 1\text{mA}$) ($I_C = 0.8\text{mA}$)	
ISP814-2		140/80 ⁵					0.4($I_F = \pm 0.5\text{mA}$) ($I_C = 0.2\text{mA}$)	
ISP814-3		20/40/80 ⁵					0.4($I_F = \pm 0.25\text{mA}$) ($I_C = 0.05\text{mA}$)	
PS2505-1		80-600				80	100 ($V_{CE} = 40\text{V}$)	0.3($I_F = \pm 10\text{mA}$) ($I_C = 2\text{mA}$)
SFH620-1		40-125				70	50	0.4($I_F = \pm 10\text{mA}$) ($I_C = 2.5\text{mA}$)
SFH620-2		63-200						
SFH620-3		100-320						
SFH620A-1		40-125						
SFH620A-2		63-200						
SFH620A-3		100-320						
SFH628-2		63-200 ²				55	200 ($V_{CE} = 10\text{V}$)	0.4($I_F = \pm 1\text{mA}$) ($I_C = 0.5\text{mA}$)
SFH628-3		100-320 ²						0.4($I_F = \pm 1\text{mA}$) ($I_C = 0.8\text{mA}$)
SFH628-4		160-500 ²						0.4($I_F = \pm 1\text{mA}$) ($I_C = 1.25\text{mA}$)

4 Pin DIL & SMD Optocouplers

AC Input									
Part Number	Features	Current Transfer Ratio $I_F = \pm 10\text{mA}$ $V_{CE} = 5\text{V}$ Min (%)	Isolation Voltage Min (KV)	Continuous Forward Current Max (mA)	V_F $I_F = \pm 20\text{mA}$ Max (V)	V_{BR} $I_R = 10\mu\text{A}$ Min (V)	BV_{CEO} $I_C = 1\text{mA}$ Min (V)	$I_{CEO(Dark)}$ $V_{CE} = 20\text{V}$ Max (nA)	$V_{CE(SAT)}$ Max (V)
SFH628A-2	Single channel Optocoupler with two infrared LED's wired in inverse parallel allowing operation with AC input voltage	63-200 ²	7.5(pk) 5.3(rms)	50mA	1.4	35	100 ($V_{CE} = 24\text{V}$)	200 ($V_{CE} = 10\text{V}$)	0.4($I_F = \pm 1\text{mA}$) ($I_C = 0.5\text{mA}$)
SFH628A-3		100-320 ²							0.4($I_F = \pm 1\text{mA}$) ($I_C = 0.8\text{mA}$)
SFH628A-4		160-500 ²							0.4($I_F = \pm 1\text{mA}$) ($I_C = 1.25\text{mA}$)
TIL194		20							0.4($I_F = \pm 5\text{mA}$) ($I_C = 1\text{mA}$)
TIL194A		50							0.4($I_F = \pm 8\text{mA}$) ($I_C = 2.4\text{mA}$)
TIL194B		100							
TLP620-1		40-125 ¹							
TLP626-1		100 ² 50 ³							0.4($I_F = \pm 1\text{mA}$) ($I_C = 0.5\text{mA}$)

Note 1 Test condition: $I_F = \pm 5\text{mA}$

Note 2 Test condition: $I_F = \pm 1\text{mA}$, $V_{CE} = 0.5\text{V}$

Note 3 Test condition: $I_F = \pm 0.5\text{mA}$, $V_{CE} = 1.5\text{V}$

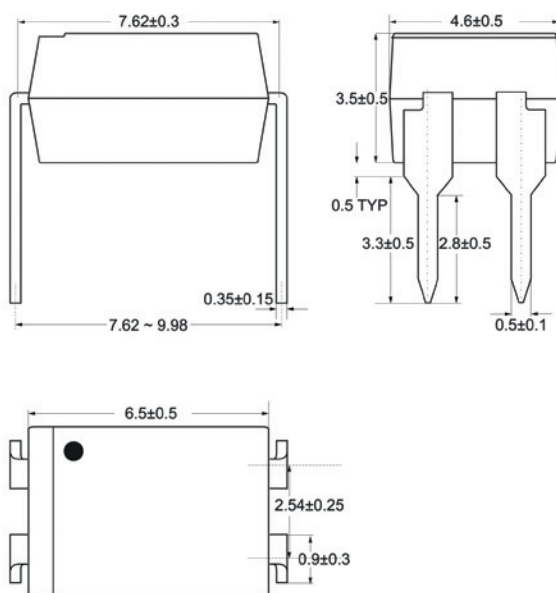
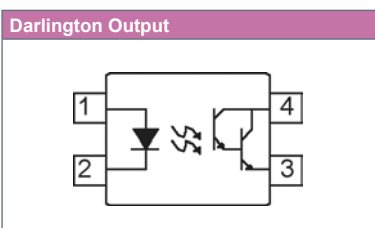
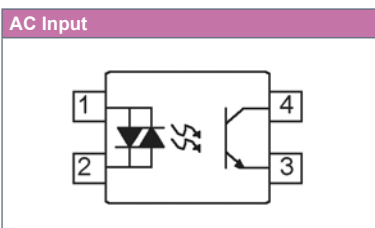
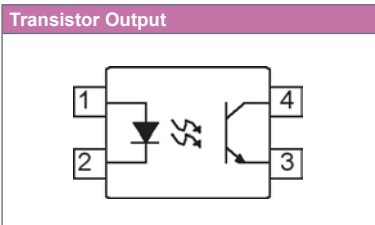
Note 4 Test condition: $I_F = \pm 1\text{mA}$

Note 5 Test condition: $I_F = \pm 0.25 / \pm 0.5 / \pm 1\text{mA}$, $V_{CE} = 5\text{V}$

Darlington Output									
Part Number	Features	Current Transfer Ratio $I_F = 1\text{mA}$ $V_{CE} = 1\text{V}$ Min (%)	Isolation Voltage Min (KV)	Continuous Forward Current Max (mA)	V_F $I_F = 20\text{mA}$ Max (V)	V_{BR} $I_R = 10\mu\text{A}$ Min (V)	BV_{CEO} $I_C = 1\text{mA}$ Min (V)	$I_{CEO(Dark)}$ $V_{CE} = 10\text{V}$ Max (nA)	$V_{CE(SAT)}$ Max (V)
ISP627-1	Single channel Optocoupler with a Photo-Darlington Transistor	1000	7.5(pk) 5.3(rms)	50mA	1.4	6	100	200 ($V_{CE} = 200\text{V}$)	1.2($I_F = 10\text{mA}$) ($I_C = 100\text{mA}$)
ISP815		600-7500 ($V_{CE} = 2\text{V}$)							1($I_F = 20\text{mA}$) ($I_C = 5\text{mA}$)
ISP815-1		/800 ¹							1($I_F = 1\text{mA}$) ($I_C = 8\text{mA}$)
ISP815-2		/400/800 ¹							1($I_F = 0.5\text{mA}$) ($I_C = 2\text{mA}$)
ISP815-3		200/400/800 ¹							1($I_F = 0.25\text{mA}$) ($I_C = 0.5\text{mA}$)
PS2502-1		200-2000							1($I_F = 1\text{mA}$) ($I_C = 2\text{mA}$)
TIL197		500-7500 ($I_F = 2\text{mA}$)							1($I_F = 2\text{mA}$) ($I_C = 10\text{mA}$)
TIL197A		1000-7500 ($I_F = 2\text{mA}$)							
TIL197B		1500-7500 ($I_F = 2\text{mA}$)							
TLP627-1		1000							1.2($I_F = 10\text{mA}$) ($I_C = 100\text{mA}$)

Note 1 Test condition: $I_F = \pm 0.25 / \pm 0.5 / \pm 1\text{mA}$, $V_{CE} = 1\text{V}$

Note 2 Test condition: Device has a reverse biased diode connected between pin 3 and 4 giving high breakdown stability



6 Pin DIL & SMD Optocouplers

Transistor Output - Base Connected

Part Number	Features	Current Transfer Ratio $I_F = 10\text{mA}$ $V_{CE} = 10\text{V}$ Min (%)	Isolation Voltage Min (KV)	Continuous Forward Current Max (mA)	V_F $I_F = 10\text{mA}$ Max (V)	BV_{CEO} $I_C = 1\text{mA}$ Min (V)	$I_{CEO(Dark)}$ $V_{CE} = 10\text{V}$ Max (nA)	$V_{CE(SAT)}$ Max (V)																																
4N25	Single channel Optocoupler with a Phototransistor Output	20	7.5(pk) 5.3(rms)	50mA	1.4	30	50	0.5($I_F=50\text{mA}$) ($I_C=2\text{mA}$)																																
4N26		10							0.3($I_F=10\text{mA}$) ($I_C=0.5\text{mA}$)																															
4N27										100	80	50 ($V_{CE}=60\text{V}$)	1.0($I_F=20\text{mA}$) ($I_C=4\text{mA}$)																											
4N28														20 ($V_{CE}=1\text{V}$)	30	50	0.4($I_F=10\text{mA}$) ($I_C=4\text{mA}$)																							
4N35																		40-160 ($V_{CE}=0.4\text{V}$)	70	50	0.4($I_F=10\text{mA}$) ($I_C=2.5\text{mA}$)																			
4N36																						40 ($V_{CE}=0.4\text{V}$)	90	150 ($V_{CE}=20\text{V}$)	0.3($I_F=10\text{mA}$) ($I_C=1\text{mA}$)															
4N37																										40-80 ($V_{CE}=5\text{V}$)	32	200 ($V_{CE}=20\text{V}$)	0.4($I_F=10\text{mA}$) ($I_C=0.5\text{mA}$)											
4N38																														63-125 ($V_{CE}=5\text{V}$)	H11A1	50	0.4($I_F=10\text{mA}$) ($I_C=0.5\text{mA}$)							
4N38A																																		100-200 ($V_{CE}=5\text{V}$)	H11A2	20	0.4($I_F=20\text{mA}$) ($I_C=2\text{mA}$)			
CNX72A																																						160-320 ($V_{CE}=5\text{V}$)	H11A3	20
CNX83AG						200-400 ($V_{CE}=5\text{V}$)	H11A4	10																																
CNY17-1		100-200 ($V_{CE}=5\text{V}$)							H11A5																															
CNY17-2										160-320 ($V_{CE}=5\text{V}$)	H11AV1	100-300	0.4($I_F=20\text{mA}$) ($I_C=2\text{mA}$)																											
CNY17-3														200-400 ($V_{CE}=5\text{V}$)	H11AV2	50	0.4($I_F=10\text{mA}$) ($I_C=2\text{mA}$)																							
CNY17-4																		100-200 ($V_{CE}=5\text{V}$)	H11AV3	20	0.4($I_F=10\text{mA}$) ($I_C=0.5\text{mA}$)																			
CNY17-5																						160-320 ($V_{CE}=5\text{V}$)	IL1	20-300	0.4($I_F=16\text{mA}$) ($I_C=2\text{mA}$)															
CNY75A																										200-400 ($V_{CE}=5\text{V}$)	IL2	100-500	0.4($I_F=10\text{mA}$) ($I_C=2\text{mA}$)											
CNY75B																														100-200 ($V_{CE}=5\text{V}$)	IL5	50-400	0.4($I_F=10\text{mA}$) ($I_C=2\text{mA}$)							
CNY75C																																		160-320 ($V_{CE}=5\text{V}$)	IL74	12.5 ($I_F=16\text{mA}$)	0.4($I_F=16\text{mA}$) ($I_C=2\text{mA}$)			
CQY80																																						200-400 ($V_{CE}=5\text{V}$)	IS1	20
H11A1						50 ($V_{CE}=5\text{V}$)	IS2	100																																
H11A2		75/10 ($I_F=10\text{mA}/1\text{mA}$)							IS201																															
H11A3										125-250/30 ($I_F=10\text{mA}/1\text{mA}$)	IS202	125-250/30 ($I_F=10\text{mA}/1\text{mA}$)	0.4($I_F=10\text{mA}$) ($I_C=2\text{mA}$)																											
H11A4														225-450/30 ($I_F=10\text{mA}/1\text{mA}$)	IS203	225-450/30 ($I_F=10\text{mA}/1\text{mA}$)	0.4($I_F=10\text{mA}$) ($I_C=2\text{mA}$)																							
H11A5																		200-400 ($I_F=10\text{mA}/1\text{mA}$)	IS204	200-400 ($I_F=10\text{mA}/1\text{mA}$)	0.4($I_F=10\text{mA}$) ($I_C=2\text{mA}$)																			
H11AV1																						/50 ¹	IS204-1	/50 ¹	0.4($I_F=1\text{mA}$) ($I_C=0.5\text{mA}$)															
H11AV2																										50 ²	IS204-2	50 ²	0.4($I_F=1\text{mA}$) ($I_C=0.5\text{mA}$)											
H11AV3																														70 ² /100 ¹	IS204-3	70 ² /100 ¹	0.4($I_F=16\text{mA}$) ($I_C=2\text{mA}$)							
IL1																																		50-400	IS5	50-400	0.4($I_F=16\text{mA}$) ($I_C=2\text{mA}$)			
IL2																																						70	IS74	12.5 ($I_F=16\text{mA}$)
IL5						50	MCT2	20																																
IL74		70							MCT2E																															
IS1	30		MCT210	50 ($I_F=3.2-32\text{mA}$) ($V_{CE}=0.4\text{V}$)	0.4($I_F=10\text{mA}$) ($I_C=2.5\text{mA}$)																																			
IS2										30	MCT2200	20 ($V_{CE}=5\text{V}$)	0.4($I_F=10\text{mA}$) ($I_C=2.5\text{mA}$)																											
IS201														30	MCT2201	100 ($V_{CE}=5\text{V}$)	0.4($I_F=10\text{mA}$) ($I_C=2.5\text{mA}$)																							
IS202																		30	MCT2201	100 ($V_{CE}=5\text{V}$)	0.4($I_F=10\text{mA}$) ($I_C=2.5\text{mA}$)																			
IS203																						30	MCT2201	100 ($V_{CE}=5\text{V}$)	0.4($I_F=10\text{mA}$) ($I_C=2.5\text{mA}$)															
IS204																										30	MCT2201	100 ($V_{CE}=5\text{V}$)	0.4($I_F=10\text{mA}$) ($I_C=2.5\text{mA}$)											
IS204-1																														30	MCT2201	100 ($V_{CE}=5\text{V}$)	0.4($I_F=10\text{mA}$) ($I_C=2.5\text{mA}$)							
IS204-2																																		30	MCT2201	100 ($V_{CE}=5\text{V}$)	0.4($I_F=10\text{mA}$) ($I_C=2.5\text{mA}$)			
IS204-3						30	MCT2201	100 ($V_{CE}=5\text{V}$)																														0.4($I_F=10\text{mA}$) ($I_C=2.5\text{mA}$)		
IS5		30							MCT2201																														100 ($V_{CE}=5\text{V}$)	0.4($I_F=10\text{mA}$) ($I_C=2.5\text{mA}$)
IS74	30		MCT2201	100 ($V_{CE}=5\text{V}$)	0.4($I_F=10\text{mA}$) ($I_C=2.5\text{mA}$)																																			
MCT2										30	MCT2201	100 ($V_{CE}=5\text{V}$)	0.4($I_F=10\text{mA}$) ($I_C=2.5\text{mA}$)																											
MCT2E														30	MCT2201	100 ($V_{CE}=5\text{V}$)	0.4($I_F=10\text{mA}$) ($I_C=2.5\text{mA}$)																							
MCT210																		30	MCT2201	100 ($V_{CE}=5\text{V}$)	0.4($I_F=10\text{mA}$) ($I_C=2.5\text{mA}$)																			
MCT2200																						30	MCT2201	100 ($V_{CE}=5\text{V}$)	0.4($I_F=10\text{mA}$) ($I_C=2.5\text{mA}$)															
MCT2201																										30	MCT2201	100 ($V_{CE}=5\text{V}$)	0.4($I_F=10\text{mA}$) ($I_C=2.5\text{mA}$)											

Note 1 Test Condition: $I_F=1\text{mA}$, $V_{CE}=0.4\text{V}$

Note 2 Test Condition: $I_F=0.5\text{mA}$, $V_{CE}=0.4\text{V}$

6 Pin DIL & SMD Optocouplers

Transistor Output - Base Connected								
Part Number	Features	Current Transfer Ratio $I_F = 10\text{mA}$ $V_{CE} = 10\text{V}$ Min (%)	Isolation Voltage Min (KV)	Continuous Forward Current Max (mA)	V_F $I_F = 10\text{mA}$ Max (V)	BV_{CEO} $I_C = 1\text{mA}$ Min (V)	$I_{CEO(\text{Dark})}$ $V_{CE} = 10\text{V}$ Max (nA)	$V_{CE(\text{SAT})}$ Max (V)
MCT2202	Single channel Optocoupler with a Phototransistor Output	63-125 ($V_{CE}=5\text{V}$)	7.5(pk) 5.3(rms)	50mA	1.4	30	50	0.4($I_F=10\text{mA}$) ($I_C=2.5\text{mA}$)
MCT270		50						0.4($I_F=16\text{mA}$) ($I_C=2\text{mA}$)
MCT271		45-90						
MCT272		75-150						
SFH600-0		40-80 ($V_{CE}=5\text{V}$)				70		0.4($I_F=10\text{mA}$) ($I_C=2.5\text{mA}$)
SFH600-1		63-125 ($V_{CE}=5\text{V}$)						
SFH600-2		100-200 ($V_{CE}=5\text{V}$)						
SFH600-3		160-320 ($V_{CE}=5\text{V}$)						
SFH600-4		200-400 ($V_{CE}=5\text{V}$)				100		
SFH601-1		40-80 ($V_{CE}=5\text{V}$)						
SFH601-2		63-125 ($V_{CE}=5\text{V}$)						
SFH601-3		100-200 ($V_{CE}=5\text{V}$)						
SFH601-4		160-320 ($V_{CE}=5\text{V}$)				90		
SFH609-1		40-80 ($V_{CE}=5\text{V}$)						
SFH609-2		63-125 ($V_{CE}=5\text{V}$)						
SFH609-3		100-200 ($V_{CE}=5\text{V}$)						
SFH609-4		160-320 ($V_{CE}=5\text{V}$)				30		
TIL111		20 ($I_F=16\text{mA}$) ($V_{CE}=0.4\text{V}$)						0.4($I_F=16\text{mA}$) ($I_C=2\text{mA}$)
TIL114								
TIL116								
TIL117	50		0.4($I_F=10\text{mA}$) ($I_C=0.5\text{mA}$)					

Transistor Output - Non Base								
Part Number	Features	Current Transfer Ratio $I_F = 10\text{mA}$ $V_{CE} = 10\text{V}$ Min (%)	Isolation Voltage Min (KV)	Continuous Forward Current Max (mA)	V_F $I_F = 10\text{mA}$ Max (V)	BV_{CEO} $I_C = 1\text{mA}$ Min (V)	$I_{CEO(\text{Dark})}$ $V_{CE} = 20\text{V}$ Max (nA)	$V_{CE(\text{SAT})}$ Max (V)
CNX62A	Single channel Optocoupler with a Phototransistor Output with base lead not connected for improved noise immunity	40 ($V_{CE}=0.4\text{V}$)	7.5(pk) 5.3(rms)	50mA	1.4	50	100	0.4($I_F=10\text{mA}$) ($I_C=4\text{mA}$)
CNX82A		40-80 ($V_{CE}=5\text{V}$)						0.4($I_F=10\text{mA}$) ($I_C=2.5\text{mA}$)
CNY17F-1		63-125 ($V_{CE}=5\text{V}$)						
CNY17F-2		100-200 ($V_{CE}=5\text{V}$)						
CNY17F-3		160-320 ($V_{CE}=5\text{V}$)				70		
CNY17F-4		200-400 ($V_{CE}=5\text{V}$)						
CNY17F-5		100				50		0.4($I_F=10\text{mA}$) ($I_C=0.5\text{mA}$)
IS205		/50 ¹						
IS205-1		50/2						70
IS205-2		70 ² /100 ¹						
IS205-3		50				50		0.4($I_F=10\text{mA}$) ($I_C=0.5\text{mA}$)
IS206		50-80						
MOC8101		73-117						0.4($I_F=5\text{mA}$) ($I_C=0.5\text{mA}$)
MOC8102								

Note 1 Test Condition: $I_F=1\text{mA}$, $V_{CE}=0.4\text{V}$

Note 2 Test Condition: $I_F=0.5\text{mA}$, $V_{CE}=0.4\text{V}$

 DRAWINGS OVERLEAF

6 Pin DIL & SMD Optocouplers cont.

Transistor Output - Non Base

Part Number	Features	Current Transfer Ratio $I_F = 10\text{mA}$ $V_{CE} = 10\text{V}$ Min (%)	Isolation Voltage Min (KV)	Continuous Forward Current Max (mA)	V_F $I_F = 10\text{mA}$ Max (V)	BV_{CEO} $I_C = 1\text{mA}$ Min (V)	$I_{CEO(Dark)}$ $V_{CE} = 20\text{V}$ Max (nA)	$V_{CE(SAT)}$ Max (V)
MOC8103	Single channel Optocoupler with a Phototransistor Output with base lead not connected for improved noise immunity	103-173	7.5(pk) 5.3(rms)	50mA	1.4	50	100	0.4($I_F = 5\text{mA}$) ($I_C = 0.5\text{mA}$)
MOC8104		160-256						
MOC8105		65-133						
MOC8106		50-150						
MOC8107		100-300						
MOC8108		250-600						
MOC8111		20						
MOC8112		50						
MOC8113		100						
								0.4($I_F = 5\text{mA}$) ($I_C = 1\text{mA}$)

AC Input

Part Number	Features	Current Transfer Ratio $I_F = \pm 10\text{mA}$ $V_{CE} = 10\text{V}$ Min (%)	Isolation Voltage Min (KV)	Continuous Forward Current Max (mA)	V_F $I_F = \pm 20\text{mA}$ Max (V)	BV_{CEO} $I_C = 0.1\text{mA}$ Min (V)	$I_{CEO(Dark)}$ $V_{CE} = 10\text{V}$ Max (nA)	$V_{CE(SAT)}$ $I_F = \pm 10\text{mA}$ $I_C = 0.5\text{mA}$ Max (V)
CNY35	Single channel Optocoupler with two infrared LED's wired in inverse parallel allowing operation with AC input voltage	10	7.5(pk) 5.3(rms)	$\pm 50\text{mA}$	1.4	30	50	0.4
H11AA1		20						
H11AA2		10						
H11AA3		50						
H11AA4		100						
IS604		50						
IS733		20-300 ($I_F = 1\text{mA}$) ($V_{CE} = 5\text{V}$)						
								0.2($I_F = \pm 20\text{mA}$) ($I_C = 1\text{mA}$)

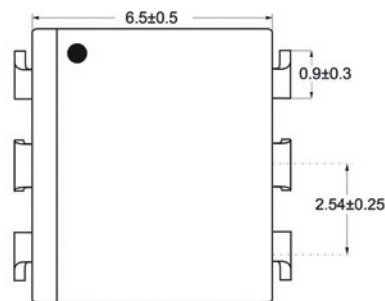
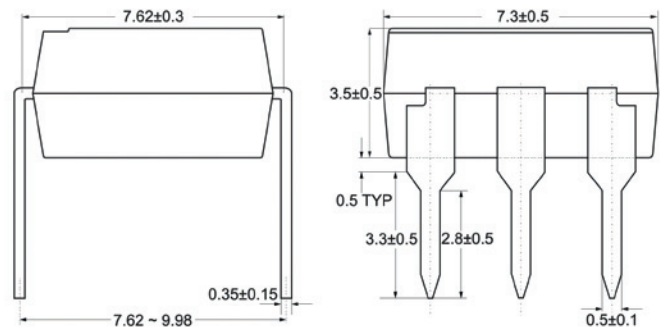
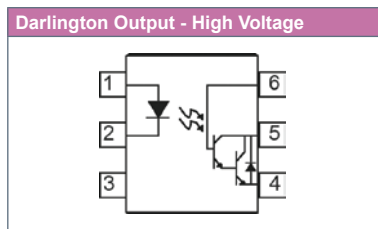
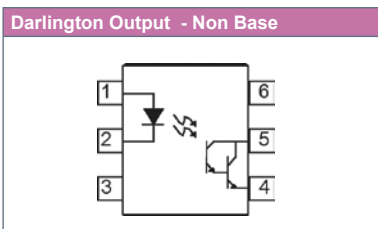
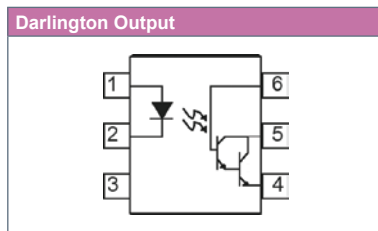
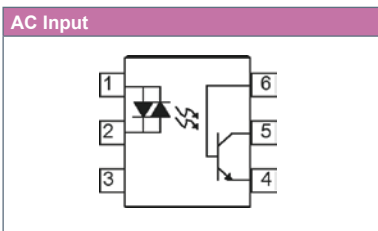
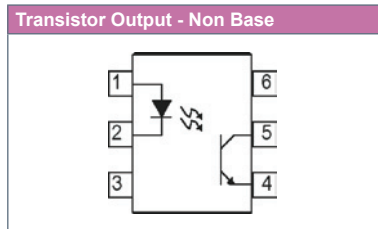
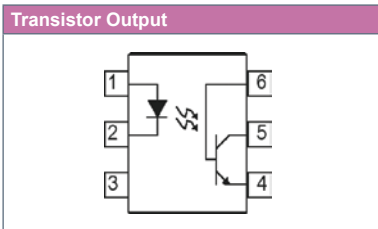
Darlington Output - Base Connected

Part Number	Features	Current Transfer Ratio $I_F = 10\text{mA}$ $V_{CE} = 10\text{V}$ Min (%)	Isolation Voltage Min (KV)	Continuous Forward Current Max (mA)	V_F $I_F = 50\text{mA}$ Max (V)	BV_{CEO} $I_C = 1\text{mA}$ Min (V)	$I_{CEO(Dark)}$ $V_{CE} = 10\text{V}$ Max (nA)	$V_{CE(SAT)}$ $I_F = 8\text{mA}$ $I_C = 2\text{mA}$ Max (V)	
4N29	Single channel Optocoupler with a Photo-Darlington Transistor	100	7.5(pk) 5.3(rms)	60mA	1.5	30	100	1	
4N30								50	1.2
4N31									1
4N32		500						1.0($I_F = 1\text{mA}$) ($I_C = 1\text{mA}$)	
4N33									500 ($I_F = 1\text{mA}$) ($V_{CE} = 5\text{V}$)
H11B1									200 ($I_F = 1\text{mA}$) ($V_{CE} = 5\text{V}$)
H11B2		100 ($I_F = 1\text{mA}$) ($V_{CE} = 5\text{V}$)							
H11B3		100 ($V_{CE} = 5\text{V}$)							1.0($I_F = 50\text{mA}$) ($I_C = 50\text{mA}$)
MCA2230		500 ($V_{CE} = 5\text{V}$)							1.0($I_F = 1\text{mA}$) ($I_C = 2\text{mA}$)
MCA2231		500 ($V_{CE} = 5\text{V}$)						1.0($I_F = 50\text{mA}$) ($I_C = 50\text{mA}$)	
MCA2255									55
MCA255									30
MCA230		100 ($V_{CE} = 5\text{V}$)						1.0($I_F = 50\text{mA}$) ($I_C = 50\text{mA}$)	
MCA231									55
MOC8080		500 ($V_{CE} = 5\text{V}$)						1.0($I_F = 1\text{mA}$) ($I_C = 1\text{mA}$)	
TIL113		500 ($V_{CE} = 1\text{V}$)						1.0($I_F = 50\text{mA}$) ($I_C = 50\text{mA}$)	

6 Pin DIL & SMD Optocouplers

Darlington Output - Non Base								
Part Number	Features	Current Transfer Ratio $I_F = 1\text{mA}$ $V_{CE} = 2\text{V}$ Min (%)	Isolation Voltage Min (KV)	Continuous Forward Current Max (mA)	V_F $I_F = 10\text{mA}$ Max (V)	BV_{CEO} $I_C = 1\text{mA}$ Min (V)	$I_{CEO(\text{Dark})}$ $V_{CE} = 10\text{V}$ Max (nA)	$V_{CE(\text{SAT})}$ Max (V)
ISPD60	Single channel Optocoupler with a Photo-Darlington Transistor with base lead not connected for improved noise immunity	100	7.5(pk) 5.3(rms)	50mA	1.4	35 ($I_C = 0.1\text{mA}$)	100	1.0 ($I_F = 10\text{mA}$) ($I_C = 10\text{mA}$)
ISPD61		500						
ISPD62		1000						
ISPD63		100						
ISPD64		500						
ISPD65		1000						
MOC8020		500 ($I_F = 10\text{mA}$) ($V_{CE} = 5\text{V}$)						
MOC8021		1000 ($I_F = 10\text{mA}$) ($V_{CE} = 5\text{V}$)						
MOC8030		300 ($I_F = 10\text{mA}$) ($V_{CE} = 5\text{V}$)						
MOC8050		500 ($I_F = 10\text{mA}$) ($V_{CE} = 5\text{V}$)						
TIL119		300 ($I_F = 10\text{mA}$) ($V_{CE} = 1\text{V}$)						

Darlington Output - Base Connected High Voltage								
Part Number	Features	Current Transfer Ratio $I_F = 10\text{mA}$ $V_{CE} = 10\text{V}$ Min (%)	Isolation Voltage Min (KV)	Continuous Forward Current Max (mA)	V_F $I_F = 10\text{mA}$ Max (V)	BV_{CEO} $I_C = 1\text{mA}$ Min (V)	$I_{CEO(\text{Dark})}$ Max (nA)	$V_{CE(\text{SAT})}$ Max (V)
H11G1	Single channel Optocoupler with a Photo-Darlington Transistor with a high operating voltage	1000 ($I_F = 1\text{mA}$) ($V_{CE} = 5\text{V}$)	7.5(pk) 5.3(rms)	50	1.4	100	100 ($V_{CE} = 80\text{V}$)	1.0 ($I_F = 1\text{mA}$) ($I_C = 1\text{mA}$)
H11G2								
H11G3		200 ($I_F = 1\text{mA}$) ($V_{CE} = 5\text{V}$)					100 ($V_{CE} = 30\text{V}$)	1.2 ($I_F = 20\text{mA}$) ($I_C = 50\text{mA}$)
IS4N45		250 ($I_F = 1\text{mA}$) ($V_{CE} = 1\text{V}$)					100 ($V_{CE} = 55\text{V}$)	1.0 ($I_F = 1\text{mA}$) ($I_{OL} = 2.5\text{mA}$)
IS4N46		500 ($I_F = 1\text{mA}$) ($V_{CE} = 1\text{V}$)						1.0 ($I_F = 0.5\text{mA}$) ($I_{OL} = 1.75\text{mA}$)
IS660		1000 ($I_F = 1\text{mA}$) ($V_{CE} = 5\text{V}$)					200	1.2 ($I_F = 20\text{mA}$) ($I_C = 100\text{mA}$)
IS661							1000 ($V_{CE} = 200\text{V}$)	
IS725								



8 Pin DIL & SMD Optocouplers

Transistor Output								
Part Number	Features	Current Transfer Ratio $I_F = 5\text{mA}$ $V_{CE} = 5\text{V}$ Min (%)	Isolation Voltage Min (KV)	Continuous Forward Current Max (mA)	V_{BR} $I_R = 10\mu\text{A}$ Min (V)	BV_{CEO} $I_C = 0.5\text{mA}$ Min (V)	$I_{CEO(Dark)}$ $V_{CE} = 20\text{V}$ Max (nA)	$V_{CE(SAT)}$ $I_F = 8\text{mA}$ $I_C = 2.4\text{mA}$ Max (V)
ISP321-2	Two channel Optocoupler with a Phototransistor Output	50-600	7.5(pk) 5.3(rms)	50	6	80	100	0.4
ISP521-2		50-600				55		
ISP621-2		50-600				35		
ISP827		50-600				55		0.2($I_F = 20\text{mA}$) ($I_C = 1\text{mA}$)
ISP624-2		100-1200 ¹				80		0.4($I_F = 1\text{mA}$) ($I_C = 0.5\text{mA}$)
PS2501-2		80-600				35		0.3($I_F = 10\text{mA}$) ($I_C = 2\text{mA}$)
TIL192		20				0.4($I_F = 5\text{mA}$) ($I_C = 1\text{mA}$)		
TIL192A		50						
TIL192B		100						
TLP321-2		50-600				80		0.4
TLP521-2		50-600				55		
TLP621-2		50-600				0.4($I_F = 1\text{mA}$) ($I_C = 0.5\text{mA}$)		
TLP624-2		50-600						

Note 1 Test condition : $I_F = 1\text{mA}$, $V_{CE} = 0.5\text{V}$

AC Input								
Part Number	Features	Current Transfer Ratio $I_F = \pm 10\text{mA}$ $V_{CE} = 5\text{V}$ Min (%)	Isolation Voltage Min (KV)	Continuous Forward Current Max (mA)	V_F $I_F = \pm 20\text{mA}$ Max (V)	BV_{CEO} $I_C = 1\text{mA}$ Min (V)	$I_{CEO(Dark)}$ $V_{CE} = 20\text{V}$ Max (nA)	$V_{CE(SAT)}$ Max (V)
ISP620-2	Two channel Optocoupler with two infrared LED's wired in inverse parallel allowing operation with AC input voltage	40-125 ¹	7.5(pk) 5.3(rms)	50mA	1.4	55 ($I_C = 0.5\text{mA}$)	100 ($V_{CE} = 24\text{V}$)	0.4($I_F = \pm 8\text{mA}$) ($I_C = 2.4\text{mA}$)
ISP626-2		100-1200 ² 50 ³						0.4($I_F = \pm 1\text{mA}$) ($I_C = 0.5\text{mA}$)
ISP824		20-300 ⁴						0.2($I_F = \pm 20\text{mA}$) ($I_C = 1\text{mA}$)
PS2505-2		80-600				80	100 ($V_{CE} = 40\text{V}$)	0.3($I_F = \pm 10\text{mA}$) ($I_C = 2\text{mA}$)
TIL195		20				35	100 ($V_{CE} = 24\text{V}$)	0.4($I_F = \pm 5\text{mA}$) ($I_C = 1\text{mA}$)
TIL195A		50						
TIL195B		100						
TLP620-2		40-125 ¹				55	0.4($I_F = \pm 8\text{mA}$) ($I_C = 2.4\text{mA}$)	
TLP626-2		100-1200 ² 50 ³					0.4($I_F = \pm 1\text{mA}$) ($I_C = 0.5\text{mA}$)	

Note 1 Test condition: $I_F = \pm 5\text{mA}$

Note 2 Test condition: $I_F = \pm 1\text{mA}$, $V_{CE} = 0.5\text{V}$

Note 3 Test condition: $I_F = \pm 0.5\text{mA}$, $V_{CE} = 1.5\text{V}$

Note 4 Test conditions: $I_F = \pm 1\text{mA}$

Darlington Output									
Part Number	Features	Current Transfer Ratio $I_F = 1\text{mA}$ $V_{CE} = 1\text{V}$ Min (%)	Isolation Voltage Min (KV)	Continuous Forward Current Max (mA)	V_F $I_F = 20\text{mA}$ Max (V)	V_{BR} $I_R = 10\mu\text{A}$ Min (V)	BV_{CEO} $I_C = 1\text{mA}$ Min (V)	$I_{CEO(Dark)}$ $V_{CE} = 10\text{V}$ Max (nA)	$V_{CE(SAT)}$ Max (V)
ISP825	Two channel Optocoupler with a Photo-Darlington Transistor	600-7500 ($V_{CE} = 2\text{V}$)	7.5(pk) 5.3(rms)	50mA	1.4	6	35 ($I_C = 0.1\text{mA}$)	100	1($I_F = 20\text{mA}$) ($I_C = 5\text{mA}$)
ISP825-1		/800 ¹							1($I_F = 1\text{mA}$) ($I_C = 8\text{mA}$)
ISP825-2		/400 ² /800 ¹							1($I_F = 0.5\text{mA}$) ($I_C = 2\text{mA}$)
ISP825-3		200 ³ /400 ² /800 ¹					1($I_F = 0.25\text{mA}$) ($I_C = 0.5\text{mA}$)		
PS2502-2		200-2000					80	1($I_F = 1\text{mA}$) ($I_C = 2\text{mA}$)	
TIL198		500-7500 ($I_F = 2\text{mA}$)					35	1($I_F = 2\text{mA}$) ($I_C = 10\text{mA}$)	
TIL198A		1000-7500 ($I_F = 2\text{mA}$)							
TIL198B		1500-7500 ($I_F = 2\text{mA}$)							

Note 1 Test condition: $I_F = 1\text{mA}$, $V_{CE} = 1\text{V}$

Note 2 Test condition: $I_F = 0.5\text{mA}$, $V_{CE} = 1\text{V}$

Note 3 Test condition: $I_F = 0.25\text{mA}$, $V_{CE} = 1\text{V}$

8 Pin DIL & SMD Optocouplers

8 Pin Transistor Symmetrical Configuration DIL & SMD Optocouplers

Part Number	Features	Current Transfer Ratio $I_F = 10\text{mA}$ $V_{CE} = 10\text{V}$ Min (%)	Isolation Voltage Min (KV)	Continuous Forward Current Max (mA)	V_{BR} $I_R = 10\mu\text{A}$ Min (V)	BV_{CEO} $I_C = 1\text{mA}$ Min (V)	$I_{CEO(Dark)}$ $V_{CE} = 10\text{V}$ Max (nA)	$V_{CE(SAT)}$ $I_F = 16\text{mA}$ $I_C = 2\text{mA}$ Max (V)
ILD1	Two channel Optocoupler with a Phototransistor Output	20-300	7.5(pk) 5.3(rms)	50	6	50	100 ($V_{CE} = 24\text{V}$)	0.4
ILD2		100-500						
ILD5		50-400						
ILD74		12.5 ($I_F = 16\text{mA}$ $V_{CE} = 5\text{V}$)						
IS829		50 ($I_F = 5\text{mA}$ $V_{CE} = 5\text{V}$)						
ISD1		20						
ISD2		100-500						
ISD5		50						
ISD74		12.5 ($I_F = 16\text{mA}$ $V_{CE} = 5\text{V}$)						
MCT6		20						
MCT61		50 ($I_F = 5\text{mA}$ $V_{CE} = 5\text{V}$)						
MCT62		100 ($I_F = 5\text{mA}$ $V_{CE} = 5\text{V}$)						
MCT66		6						

High CTR, High Sensitivity / Low Input Current

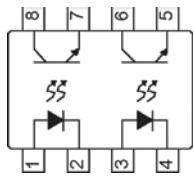
ISD201	Two channel Optocoupler with a Phototransistor Output	75 (10) ¹	7.5(pk) 5.3(rms)	50	6	70	50	0.4($I_F = 10\text{mA}$) ($I_C = 2\text{mA}$)
ISD202		125-250 (30) ¹						
ISD203		225-450 (50) ¹						
ISD204		200-400 (100) ¹						
ISD204-1		/50 ²						
ISD204-2		50/ ³						
ISD204-3		70 ³ /100 ²						
								0.4($I_F = 0.5\text{mA}$) ($I_C = 0.25\text{mA}$)
								0.4($I_F = 0.5\text{mA}$) ($I_C = 0.35\text{mA}$)

Note 1 Test condition : $I_F = 1\text{mA}$

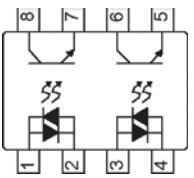
Note 2 Test condition : $I_F = 1\text{mA}$, $V_{CE} = 0.4\text{V}$

Note 3 Test condition : $I_F = 0.5\text{mA}$, $V_{CE} = 0.4\text{V}$

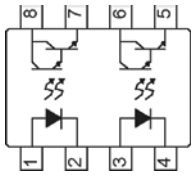
Transistor Output



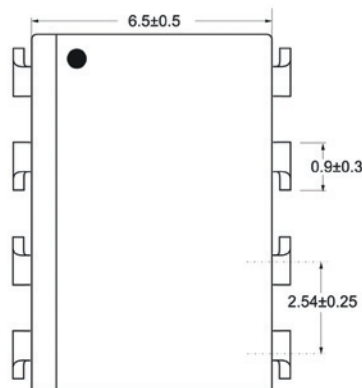
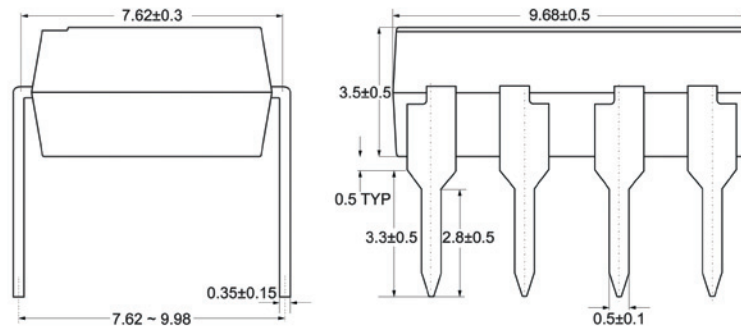
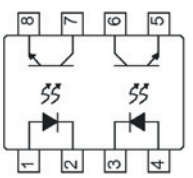
AC Input



Darlington Output



Symmetrical Configuration



16 Pin DIL & SMD Optocouplers

Transistor Output

Part Number	Features	Current Transfer Ratio $I_F = 5\text{mA}$ $V_{CE} = 5\text{V}$ Min (%)	Isolation Voltage Min (KV)	Continuous Forward Current Max (mA)	V_{BR} $I_R = 10\mu\text{A}$ Min (V)	BV_{CEO} $I_C = 0.5\text{mA}$ Min (V)	$I_{CEO(Dark)}$ $V_{CE} = 20\text{V}$ Max (nA)	$V_{CE(SAT)}$ $I_F = 8\text{mA}$ $I_C = 2.4\text{mA}$ Max (V)	
ISP321-4	Four channel Optocoupler with a Phototransistor Output	50-600	7.5(pk) 5.3(rms)	50	6	80	100	0.4	
ISP521-4		50-600							
ISP621-4		50-600							
ISP847		50-600						35	0.2($I_F = 20\text{mA}$) ($I_C = 1\text{mA}$)
ISP624-4		100-1200 ¹						55	0.4($I_F = 1\text{mA}$) ($I_C = 0.5\text{mA}$)
PS2501-4		80-600						80	0.3($I_F = 10\text{mA}$) ($I_C = 2\text{mA}$)
TIL193		20						35	0.4($I_F = 5\text{mA}$) ($I_C = 1\text{mA}$)
TIL193A		50							
TIL193B		100							
TLP321-4		50-600						80	0.4
TLP521-4		50-600							
TLP621-4		50-600							
TLP624-4		50-600						55	0.4($I_F = 1\text{mA}$) ($I_C = 0.5\text{mA}$)

Note 1 Test Condition: $I_F = 1\text{mA}$, $V_{CE} = 0.5\text{V}$

AC Input

Part Number	Features	Current Transfer Ratio $I_F = \pm 10\text{mA}$ $V_{CE} = 5\text{V}$ Min (%)	Isolation Voltage Min (KV)	Continuous Forward Current Max (mA)	V_F $I_F = \pm 20\text{mA}$ Max (V)	BV_{CEO} $I_C = 1\text{mA}$ Min (V)	$I_{CEO(Dark)}$ $V_{CE} = 20\text{V}$ Max (nA)	$V_{CE(SAT)}$ Max (V)		
ISP620-4	Four channel Optocoupler with two infrared LED's wired in inverse parallel allowing operation with AC input voltage	40-125 ¹	7.5(pk) 5.3(rms)	50mA	1.4	55 ($I_C = 0.5\text{mA}$)	100 ($V_{CE} = 24\text{V}$)	0.4($I_F = \pm 8\text{mA}$) ($I_C = 2.4\text{mA}$)		
ISP626-4		100-1200 ² 50 ³						0.4($I_F = \pm 1\text{mA}$) ($I_C = 0.5\text{mA}$)		
ISP844		20-300 ⁴						35	100	0.2($I_F = \pm 20\text{mA}$) ($I_C = 1\text{mA}$)
PS2505-4		80-600						80	100 ($V_{CE} = 40\text{V}$)	0.3($I_F = \pm 10\text{mA}$) ($I_C = 2\text{mA}$)
TIL196		20						35	100 ($V_{CE} = 24\text{V}$)	0.4($I_F = \pm 5\text{mA}$) ($I_C = 1\text{mA}$)
TIL196A		50								
TIL196B		100								
TLP620-4		40-125 ¹						55	0.4($I_F = \pm 8\text{mA}$) ($I_C = 2.4\text{mA}$)	
TLP626-4		100-1200 ² 50 ³								0.4($I_F = \pm 1\text{mA}$) ($I_C = 0.5\text{mA}$)

Note 1 Test condition: $I_F = \pm 5\text{mA}$

Note 2 Test condition: $I_F = \pm 1\text{mA}$, $V_{CE} = 0.5\text{V}$

Note 3 Test condition: $I_F = \pm 0.5\text{mA}$, $V_{CE} = 1.5\text{V}$

Note 4 Test condition: $I_F = \pm 1\text{mA}$

Darlington Output

Part Number	Features	Current Transfer Ratio $I_F = 1\text{mA}$ $V_{CE} = 1\text{V}$ Min (%)	Isolation Voltage Min (KV)	Continuous Forward Current Max (mA)	V_F $I_F = 20\text{mA}$ Max (V)	V_{BR} $I_R = 10\mu\text{A}$ Min (V)	BV_{CEO} $I_C = 1\text{mA}$ Min (V)	$I_{CEO(Dark)}$ $V_{CE} = 10\text{V}$ Max (nA)	$V_{CE(SAT)}$ Max (V)	
ISP845	Four channel Optocoupler with a Photo-Darlington Transistor	600-7500 ($V_{CE} = 2\text{V}$)	7.5(pk) 5.3(rms)	50mA	1.4	6	35 ($I_C = 0.1\text{mA}$)	100	1($I_F = 20\text{mA}$) ($I_C = 5\text{mA}$)	
ISP845-1		/800 ¹							1($I_F = 1\text{mA}$) ($I_C = 8\text{mA}$)	
ISP845-2		/400 ² /800 ¹							1($I_F = 0.5\text{mA}$) ($I_C = 2\text{mA}$)	
ISP845-3		200 ³ /400 ² /800 ¹							1($I_F = 0.25\text{mA}$) ($I_C = 0.5\text{mA}$)	
PS2502-4		200-2000							80	1($I_F = 1\text{mA}$) ($I_C = 2\text{mA}$)
TIL199		500-7500 ($I_F = 2\text{mA}$)							35	1($I_F = 2\text{mA}$) ($I_C = 10\text{mA}$)
TIL199A		1000-7500 ($I_F = 2\text{mA}$)								
TIL199B		1500-7500 ($I_F = 2\text{mA}$)								

Note 1 Test condition: $I_F = 1\text{mA}$, $V_{CE} = 1\text{V}$

Note 2 Test condition: $I_F = 0.5\text{mA}$, $V_{CE} = 1\text{V}$

Note 3 Test condition: $I_F = 0.25\text{mA}$, $V_{CE} = 1\text{V}$

16 Pin DIL & SMD Optocouplers

16 Pin Transistor Symmetrical Configuration DIL & SMD Optocouplers

Part Number	Features	Current Transfer Ratio	Min (KV) Isolation Voltage	Forward Current	V_{BR}	BV_{CEO} $I_C=1mA$	$I_{CEO(Dark)}$ $V_{CE}=10V$	$V_{CE(SAT)}$ $I_F=16mA$ $I_C=2mA$		
		$I_F=10mA$ $V_{CE}=10V$ Min (%)	Min (KV)	Max (mA)	Min (V)	Min (V)	Max (nA)	Max (V)		
ILQ1	Four channel Optocoupler with a Phototransistor Output	20-300	7.5(pk) 5.3(rms)	50	6	50	50	0.4		
ILQ2		100-500				70				
ILQ5		50-400								
ILQ74		$12.5(I_F=16mA, V_{CE}=5V)$				50				
IS849		$50(I_F=5mA, V_{CE}=5V)$				35			100 ($V_{CE}=24V$)	0.2($I_F=20mA$) ($I_C=1mA$)
ISQ1		20				50			0.3($I_F=10mA$) ($I_C=2mA$)	
ISQ2		100-500				70			0.4($I_F=5mA$) ($I_C=1mA$)	
ISQ5		50							0.4	
ISQ74		$12.5(I_F=16mA, V_{CE}=5V)$				50				

High CTR, High Sensitivity / Low Input Current

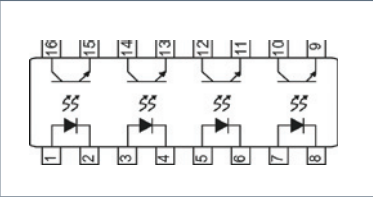
ISQ201	Four channel Optocoupler with a Phototransistor Output	75 (10) ¹	7.5(pk) 5.3(rms)	50	6	70	50	0.4($I_F=10mA$) ($I_C=2mA$)	
ISQ202		125-250 (30) ¹							
ISQ203		225-450 (50) ¹							
ISQ204		200-400 (100) ¹							
ISQ204-1		/50 ²							0.4($I_F=1mA$) ($I_C=0.5mA$)
ISQ204-2		50 ³							0.4($I_F=0.5mA$) ($I_C=0.25mA$)
ISQ204-3		70 ³ /100 ²							0.4($I_F=0.5mA$) ($I_C=0.35mA$)

Note 1 Test Condition: $I_F=1mA$

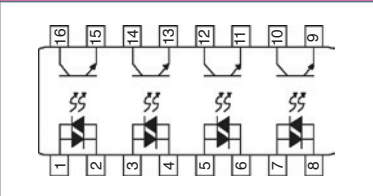
Note 2 Test Condition: $I_F=1mA, V_{CE}=0.4V$

Note 3 Test Condition: $I_F=0.5mA, V_{CE}=0.4V$

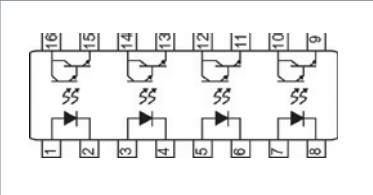
Transistor Output



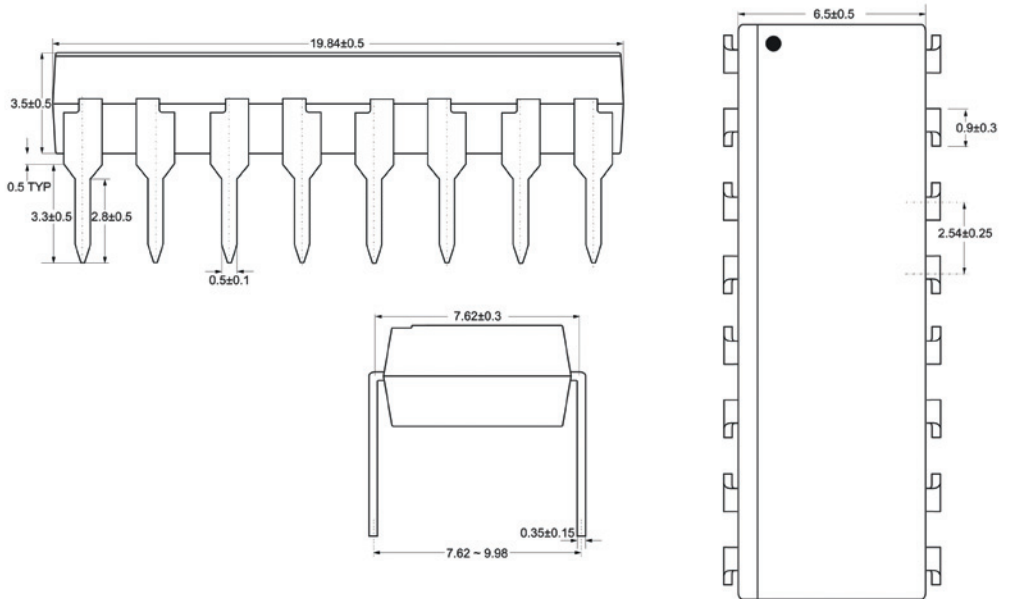
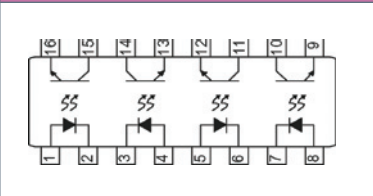
AC Input



Darlington Output



Symmetrical Configuration



6 Pin DIL & SMD Triac Optocouplers

Random Phase Triac							
Part Number	Features	Input Trigger Current $V_D = 3V$	Isolation Voltage	Continuous Forward Current Input Diode	V_{BR} $I_R = 10\mu A$	I_{DRM} Peak Off-State Current $V_{DRM} = \text{Rated}$	V_{DRM} Peak Blocking Voltage $I_{DRM} = 0.1mA$
		Max (mA)	Min (KV)	Max (mA)	Min (V)	Max (nA)	Min (V)
H11J1	Infrared Emitting Diode And Light Activated Silicon Bilateral Switch	10	7.5(pk) 5.3(rms)	50	6	100	250
H11J2		15					
H11J3		10					
H11J4		15					
H11J5		25					
IS3009		30					
IS3010		15					
IS3011		10					
IS3012		5					
IS3020		30					
IS3021		15					
IS3022		10					
IS3023		5					
IS3051		15					
IS3052		10					
IS6003		3					
IS6005		5					
IS6010		10					
IS6015		15					
IS6030		30					
IS607		10					
IS608		7					
MOC3009		30					
MOC3010		15					
MOC3011		10					
MOC3012		5					
MOC3020		30					
MOC3021		15					
MOC3022		10					
MOC3023		5					
MOC3051	15						
MOC3052	10						

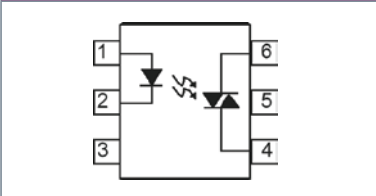
Zero Crossing Triac							
Part Number	Features	Input Trigger Current $V_D = 3V$	Isolation Voltage	Continuous Forward Current Input Diode	V_{BR} $I_R = 10\mu A$	I_{DRM} Peak Off-State Current $V_{DRM} = \text{Rated}$	V_{DRM} Peak Blocking Voltage $I_{DRM} = 0.1mA$
		Max (mA)	Min (KV)	Max (mA)	Min (V)	Max (nA)	Min (V)
IS3030	Infrared Emitting Diode And Light Activated Zero Crossing Bilateral Switch	30	7.5(pk) 5.3(rms)	50	6	300	250
IS3031		15					
IS3032		10					
IS3033		5					
IS3040		30					
IS3041		15					
IS3042		10					
IS3043		5					
IS3060		30					
IS3061		15					

6 Pin DIL & SMD Triac Optocouplers

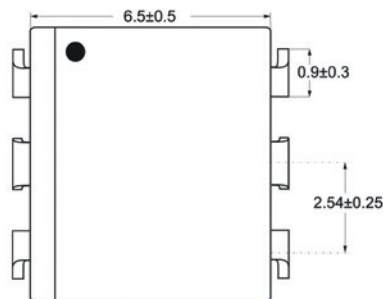
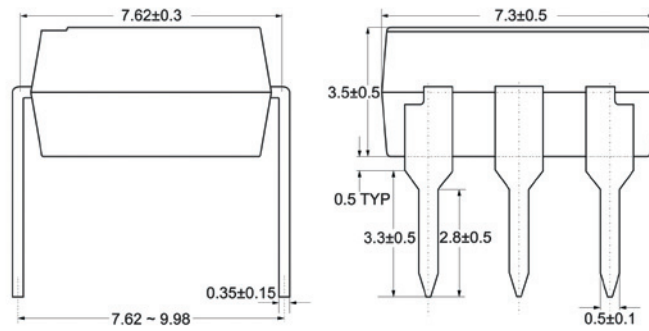
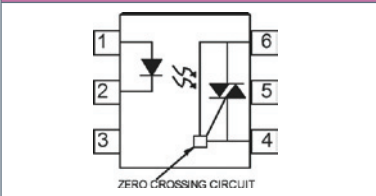
Zero Crossing Triac

Part Number	Features	Input Trigger Current $V_0 = 3V$	Isolation Voltage	Continuous Forward Current Input Diode	V_{BR} $I_R = 10\mu A$	I_{DRM} Peak Off-State Current $V_{DRM} = \text{Rated}$	V_{DRM} Peak Blocking Voltage $I_{DRM} = 0.1mA$
		Max (mA)	Min (KV)	Max (mA)	Min (V)	Max (nA)	Min (V)
IS3062	Infrared Emitting Diode And Light Activated Zero Crossing Bilateral Switch	10	7.5(pk) 5.3(rms)	50	6	300	600
IS3063		5					
IS3080		30					800
IS3081		15					
IS3082		10					
IS3083		5					
IS620		30					400
IS621		15					
IS622		10					
IS623		5					
MOC3030		30					250
MOC3031		15					
MOC3032		10					
MOC3033		5					
MOC3040		30					400
MOC3041		15					
MOC3042		10					
MOC3043		5					
MOC3060		30					600
MOC3061		15					
MOC3062		10					
MOC3063		5					
MOC3080		30					800
MOC3081		15					
MOC3082		10					
MOC3083		5					

Random Phase Triac



Zero Crossing Triac



4 Pin Mini Flat Package

Transistor Output

Part Number	Features	Current Transfer Ratio $I_F = 5\text{mA}$ $V_{CE} = 5\text{V}$	Isolation Voltage	Continuous Forward Current	V_F $I_F = 20\text{mA}$	BV_{CEO} $I_C = 0.5\text{mA}$	$I_{CEO(\text{Dark})}$ $V_{CE} = 20\text{V}$	$V_{CE(\text{SAT})}$ $I_F = 20\text{mA}$ $I_C = 1\text{mA}$
		Min (%)	Min (KV _{RMS})	Max (mA)	Max (V)	Min (V)	Max (nA)	Max (V)
IS121	Single channel Optocoupler with a Phototransistor Output	50-600	3.75	50	1.4	35	100	0.2
IS181								
IS2701-1								
IS357								
IS357A								
IS357B								
IS357C								
IS357D								

AC Input

Part Number	Features	Current Transfer Ratio $I_F = \pm 1\text{mA}$ $V_{CE} = 5\text{V}$	Isolation Voltage	Continuous Forward Current	V_F $I_F = \pm 20\text{mA}$	BV_{CEO} $I_C = 0.1\text{mA}$	$I_{CEO(\text{Dark})}$ $V_{CE} = 20\text{V}$	$V_{CE(\text{SAT})}$ $I_F = \pm 20\text{mA}$ $I_C = 1\text{mA}$
		Min (%)	Min (KV _{RMS})	Max (mA)	Max (V)	Min (V)	Max (nA)	Max (V)
IS126	Single channel Optocoupler with two infrared LED's wired in inverse parallel allowing operation with AC input voltage	20-400	3.75	± 50	1.4	35	100	0.2
IS2705-1								
IS354								
IS354A								

Darlington Output

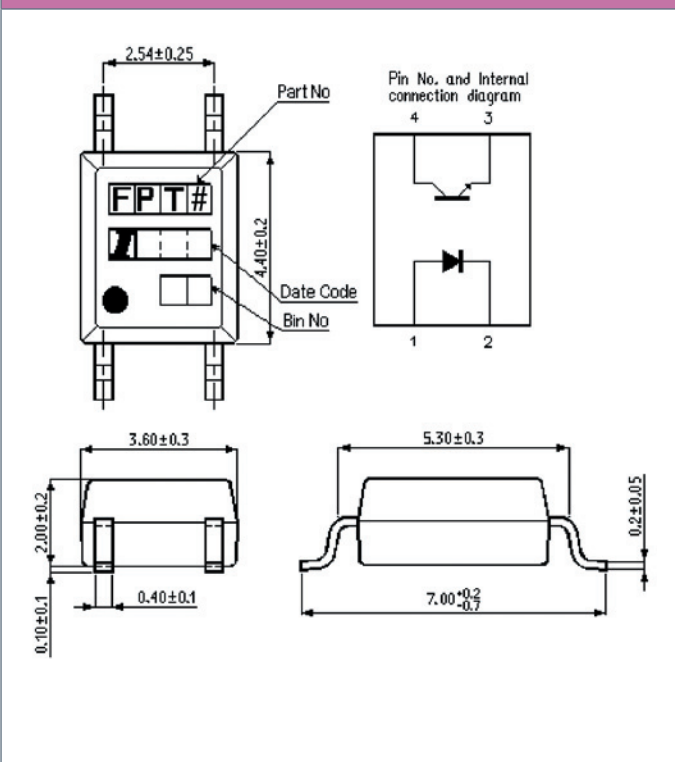
Part Number	Features	Current Transfer Ratio $I_F = 1\text{mA}$ $V_{CE} = 2\text{V}$	Isolation Voltage	Continuous Forward Current	V_F $I_F = 20\text{mA}$	BV_{CEO} $I_C = 0.1\text{mA}$	$I_{CEO(\text{Dark})}$ $V_{CE} = 20\text{V}$	$V_{CE(\text{SAT})}$ $I_F = 20\text{mA}$ $I_C = 1\text{mA}$
		Min (%)	Min (KV _{RMS})	Max (mA)	Max (V)	Min (V)	Max (μA)	Max (V)
IS355	Single channel Optocoupler with a Photo-Darlington Transistor	600-7500	3.75	50	1.4	35	1	1
IS2702-1								

Darlington Output - High Voltage

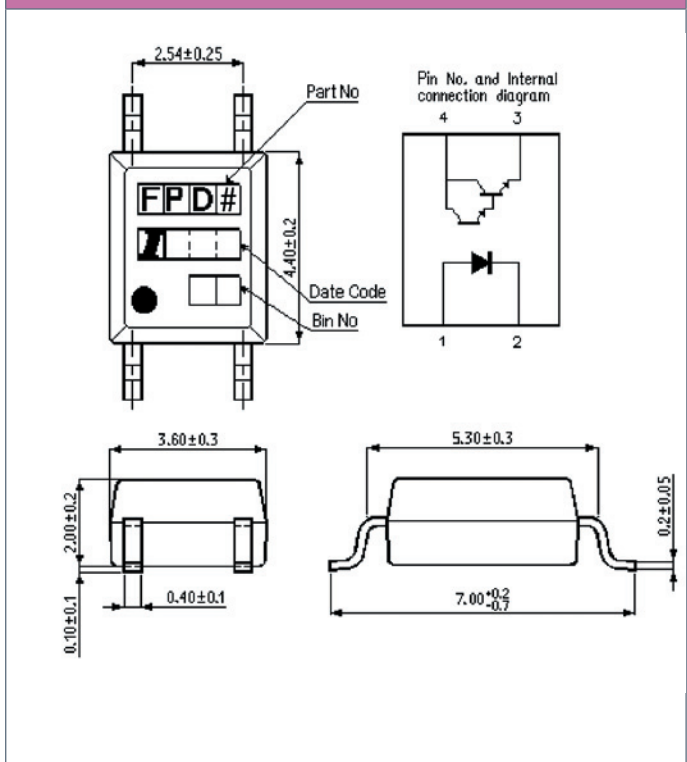
Part Number	Features	Current Transfer Ratio $I_F = 1\text{mA}$ $V_{CE} = 2\text{V}$	Isolation Voltage	Continuous Forward Current	V_F $I_F = 10\text{mA}$	BV_{CEO} $I_C = 0.1\text{mA}$	$I_{CEO(\text{Dark})}$ $V_{CE} = 200\text{V}$	$V_{CE(\text{SAT})}$ $I_F = 20\text{mA}$ $I_C = 100\text{mA}$
		Min (%)	Min (KV _{RMS})	Max (mA)	Max (V)	Min (V)	Max (nA)	Max (V)
IS2732-1	Single channel Optocoupler with a Photo-Darlington Transistor with a high operating voltage	1000	3.75	50	1.4	300	200	1.2
IS452								
IS127								

4 Pin Mini Flat Package

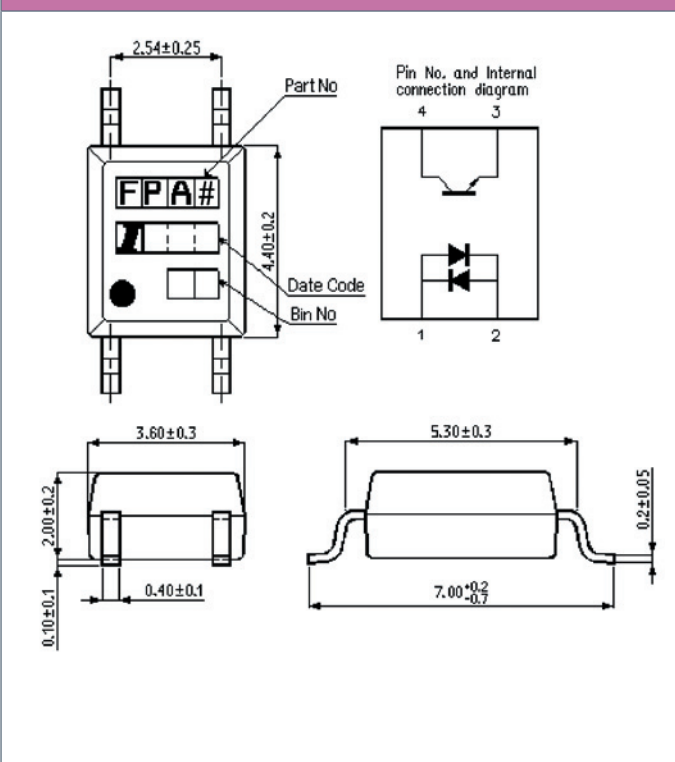
Transistor Output



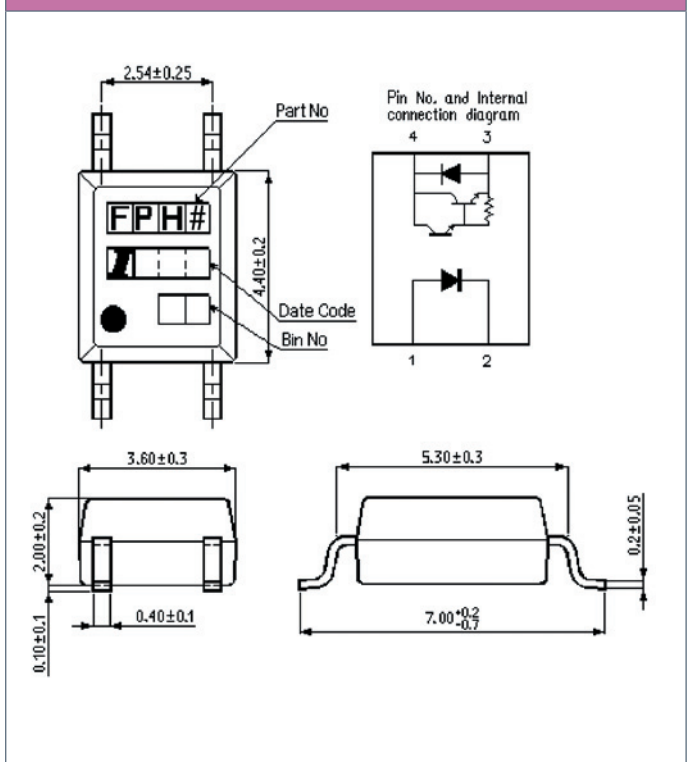
Darlington Output



AC Input



Darlington Output - High Voltage



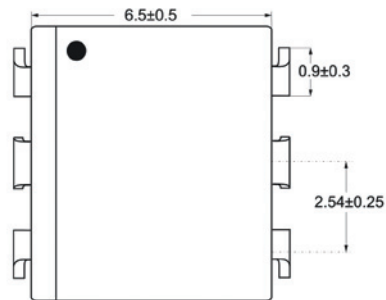
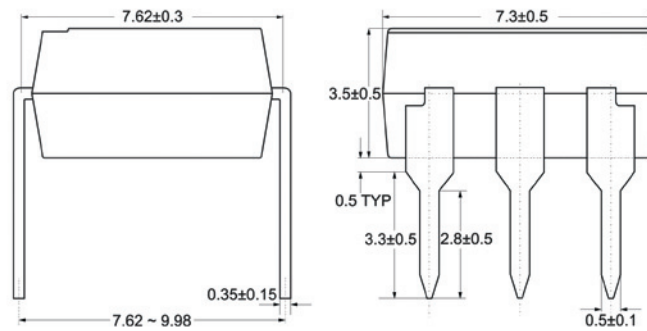
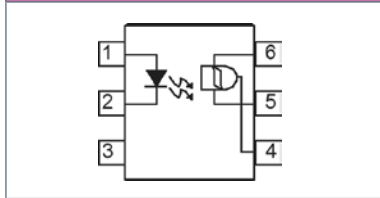
= Internal binning

6 Pin DIL & SMD Schmitt Optocouplers

Schmitt Trigger

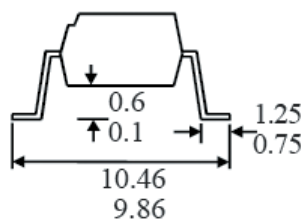
Part Number	Features	Turn-On Threshold Current $R_L=270\Omega$ $V_{CE}=5V$ Max (mA)	Turn-Off Threshold Current $R_L=270\Omega$ $V_{CE}=5V$ Min (mA)	Isolation Voltage Min (KV)	Continuous Forward Current Max (mA)	V_F $I_F=50mA$ Max (V)	$V_{BR}(LED)$ $I_R=10\mu A$ Min (V)	Output Voltage (Low) $R_L=270\Omega$ $V_{CC}=5V$ Max (V)
H11L1	Microprocessor compatible	1.6	0.3	7.5(pk) 5.3(rms)	50mA	1.5	100	0.4
H11L2		10						
H11L3		5						
H11L4		2.0						
IS609		1.6						
MOC5007		4						
MOC5008		10						
MOC5009								

Schmitt Trigger

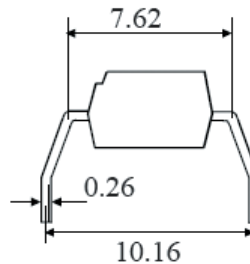


Lead Form Diagrams

**OPTION SM
SURFACE MOUNT**



OPTION G



Mini Flat Triac Series

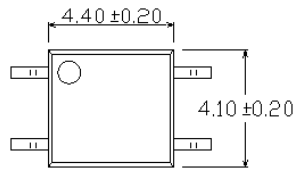
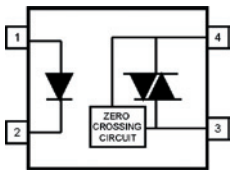
Zero Crossing Series

Part Number	Features	Input Trigger Current $V_D = 3V$	Isolation Voltage Min (vrms)	Continuous Forward Current Input Diode Max (mA)	V_{BR} $I_R = 10\mu A$ Min (V)	I_{DRM} Peak Off-State Current V_{DRM} Rated Max (mA)	V_{DRM} Peak Blocking Voltage $I_{DRM} = 0.1mA$
		Max (mA)					Min (V)
MF3030	Infrared Emitting Diode and Light activated Zero crossing Bilateral Switch in a space saving Mini Flat Package	30	3750	60	6	100	250
MF3031		15					
MF3032		10					
MF3033		5					
MF3040		30					400
MF3041		15					
MF3042		10					
MF3043		5					
MF3060		30					600
MF3061		15					
MF3062		10					
MF3063		5					
MF3080		30					800
MF3081		15					
MF3082		10					
MF3083		5					

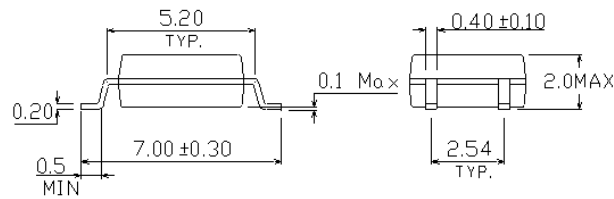
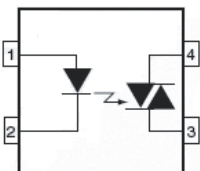
Random Phase Series

Part Number	Features	Input Trigger Current $V_D = 3V$	Isolation Voltage Min (vrms)	Continuous Forward Current Input Diode Max (mA)	V_{BR} $I_R = 10\mu A$ Min (V)	I_{DRM} Peak Off-State Current V_{DRM} Rated Max (mA)	V_{DRM} Peak Blocking Voltage $I_{DRM} = 0.1mA$
		Max (mA)					Min (V)
MF3009	Infrared Emitting Diode and Light activated Zero crossing Bilateral Switch in a space saving Mini Flat Package	30	3750	60	6	100	250
MF3010		15					
MF3011		10					
MF3012		5					
MF3020		30					400
MF3021		15					
MF3022		10					
MF3023		5					
MF3051		15					600
MF3052		10					

Zero Crossing Pin Configuration



Random Phase Pin Configuration



Cross List

Isocom Part No.	Avago Part No.	Fairchild Part No.	SHARP Part No.	NEC Part No.	Toshiba Part No.
6N135	6N135	6N135			
6N136	6N136	6N136			
6N137	6N137	6N137			
6N138	6N138	6N138			
6N139	6N139	6N139			
ICPL-3120	HCPL-3120				
ICPLW137	HCNW137				
ICPLW2601	HCNW2601				
ICPLW2611	HCNW2611				
ICPL2601	HCPL2601	HCPL2601			TLP554 TLP2601
ICPL2611	HCPL2611	HCPL2611		PS9587	
ICPL600	HCPLM600				
ICPLM601	HCPLM601				TLP113 TLP115 TLP115A
ICPLM611	HCPLM611	FODM611	PC410L	PS9117A	
ICPL0630	HCPL0630	HCPL0637			
ICPL0631	HCPL0631	HCPL0638	PC4D10		
ICPL0661	HCPL0661	HCPL0639		PS9817A-2	
ICPL0600	HCPL0600	HCPL0600			
ICPL0601	HCPL0601	HCPL0601			
ICPL0611	HCPL0611	HCPL0611	PC410S	PS9817A-1	
ICPL2630	HCPL2630	HCPL2630			TLP2630
ICPL2631	HCPL2631	HCPL2631			TLP2631
ICPL2661	HCPL2661				
ICPLW135	HCNW135				
ICPLW136	HCNW136				
ICPL0500	HCPL0500	HCPL0500			
ICPL0501	HCPL0501	HCPL0501			
ICPL0530	HCPL0530	HCPL0530			
ICPL0531	HCPL0531	HCPL0531			
ICPL2530	HCPL2530	HCPL2530			TLP2530
ICPL2531	HCPL2531	HCPL2531			TLP2531
ICPL4502		HCPL4502			TLP559 TLP750 TLP759
ICPL4503		HCPL4503			
ICPL452		FODM452			TLP112 TLP112A TLP114A
ICPL453		FODM453	PC457	PS8101	
ICPL0452		HCPL0452			
ICPL0453		HCPL0453	PC457S		



**Special Selections • Just-In-Time Delivery • Superior Service
Short Lead Times • Unbeatable Quality • Technical Support**

If your required part number is not shown please contact us to discuss your requirements.

All parts conform to the EU RoHS Directive 2002/95/EC

Lead form & packaging options

- All devices are supplied in tubes in standard straight lead form unless specified
- All devices are available in 10.16mm lead spread to ensure a minimum creepage distance of 8.0mm
- All devices are available in surface mount lead form (SMD)
- All surface mount devices are available in Tape and Reel packaging

How to order

- For VDE approval, add the suffix **X** to the required part number (e.g. ISP817X)
- For 10.16mm lead spread, add the suffix **G** to the required part number (e.g. ISP817XG)
- For surface mount option, add the suffix **SM** to the required part number (e.g. ISP817XSM)
- For tape and reel packaging, add the suffix **T&R** to the required part number (e.g. ISP817XSMT&R)

For price and delivery

- Call ISOCOM COMPONENTS direct on **+44 (0)1429 863609** or email your requirements to sales@isocom.co.uk, or
- Contact your local ISOCOM COMPONENTS distributor, visit www.isocom.com for further details



Special Selections • Just-In-Time Delivery • Superior Service • Short Lead Times • Unbeatable Quality • Technical Support

Isocom Components is a leading manufacturer of high performance infrared optoelectronic devices specialising in optocouplers and optoswitches. Since the business was established over 25 years ago, we have consistently delivered in excess of our customers expectations to become one of the most respected brands in the worldwide optoelectronic industry.

Our expert knowledge and flexible manufacturing processes result in the shortest production lead times in the world for many parts. Our product quality and superior customer service is unrivalled and is endorsed by our many long standing customers.

Isocom Components is your natural alternative to all popular commercial optocoupler industry standard types including many no longer supplied by other manufacturers. In addition, we carry out special parametric selections to meet customers' specific design requirements.

Our parts are available approved to the leading recognised industry standards and all devices are supplied in various lead forms and Tape and Reel packaging if required.

Isocom Components 2004 Ltd

Head Office:
Unit 25B Park View Road West
Park View Industrial Estate
Hartlepool
Cleveland
TS25 1UD
United Kingdom

Telephone: +44(0) 1429 863 609
Fax: + 44(0) 1429 863 581
Email: sales@isocom.co.uk
Website: www.isocom.com

Isocom Components Asia Ltd

Hong Kong Office:
Block A, 8/F
Wah Hing Industrial Mansion
36 Tai Yau Street
San Po Kong
Kowloon
Hong Kong

Telephone: +852 2995 9217
Fax: + 852 8161 6292
Email: sales@isocom.com.hk

